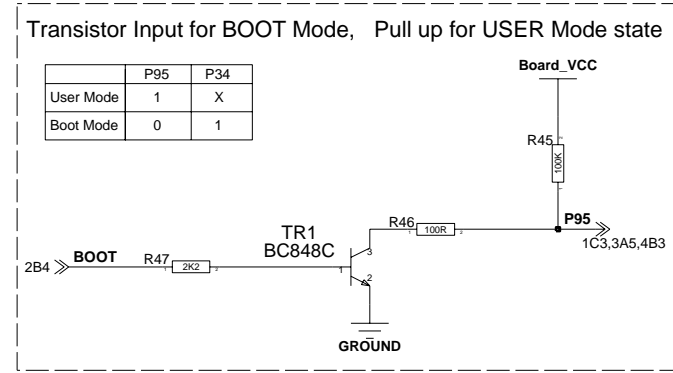
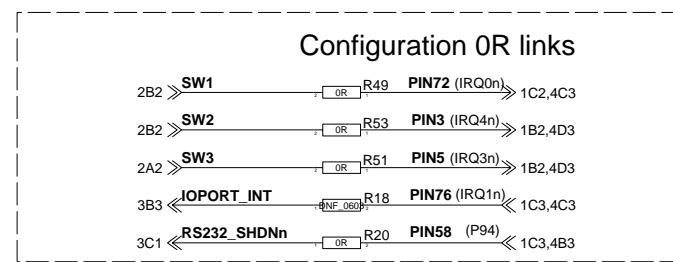
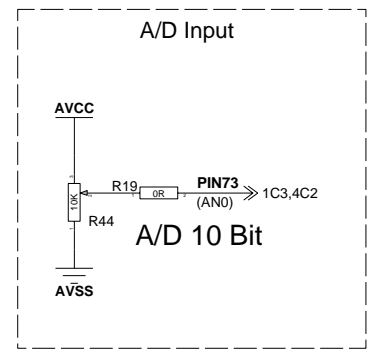
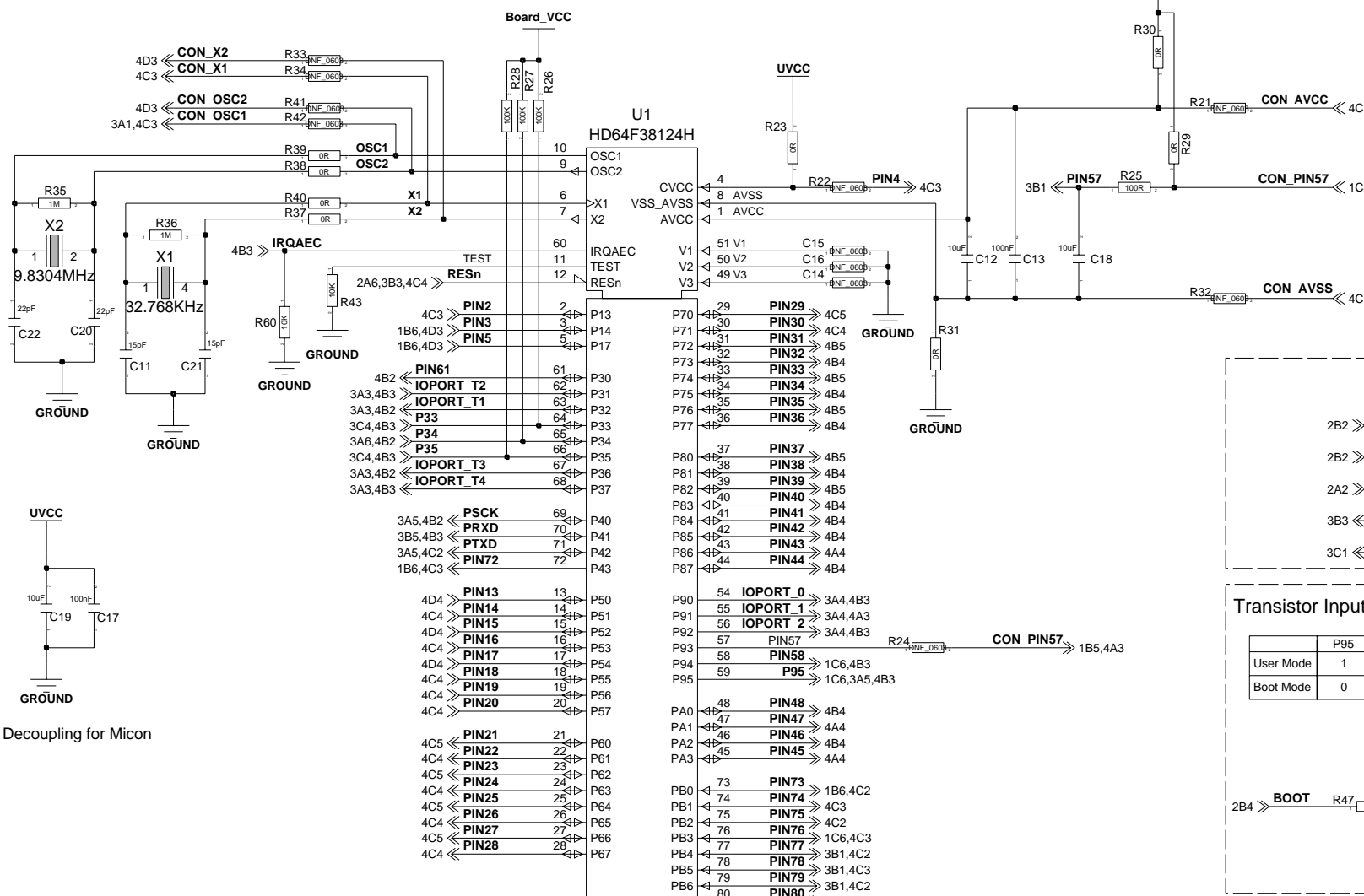


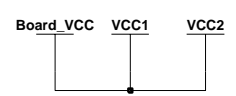
Reference	38124	38024
R24	DNF	FIT
R29	FIT	DNF
R25	FIT	DNF
C18	FIT	DNF

REV	REF	DATE	DRAWN BY
1	DR2	03/08/04	DFI
2	DR3	16-Sep-04	DPR



Decoupling for Micon

Voltage rails



VCC=UVCC
Power : 52
Ground : 53

SIZE A4

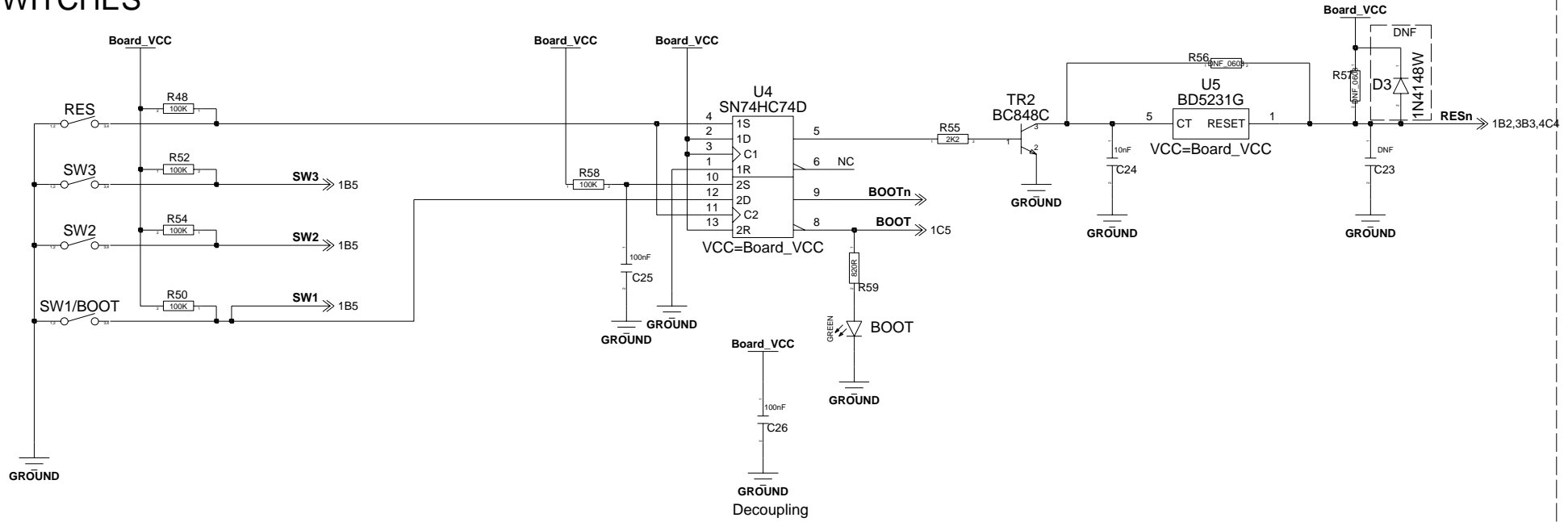
RENESAS TECHNOLOGY EUROPE LTD
Dukes Meadow, Bourne End, Buckinghamshire
UNITED KINGDOM

SCHEMATIC TITLE
3DK38124

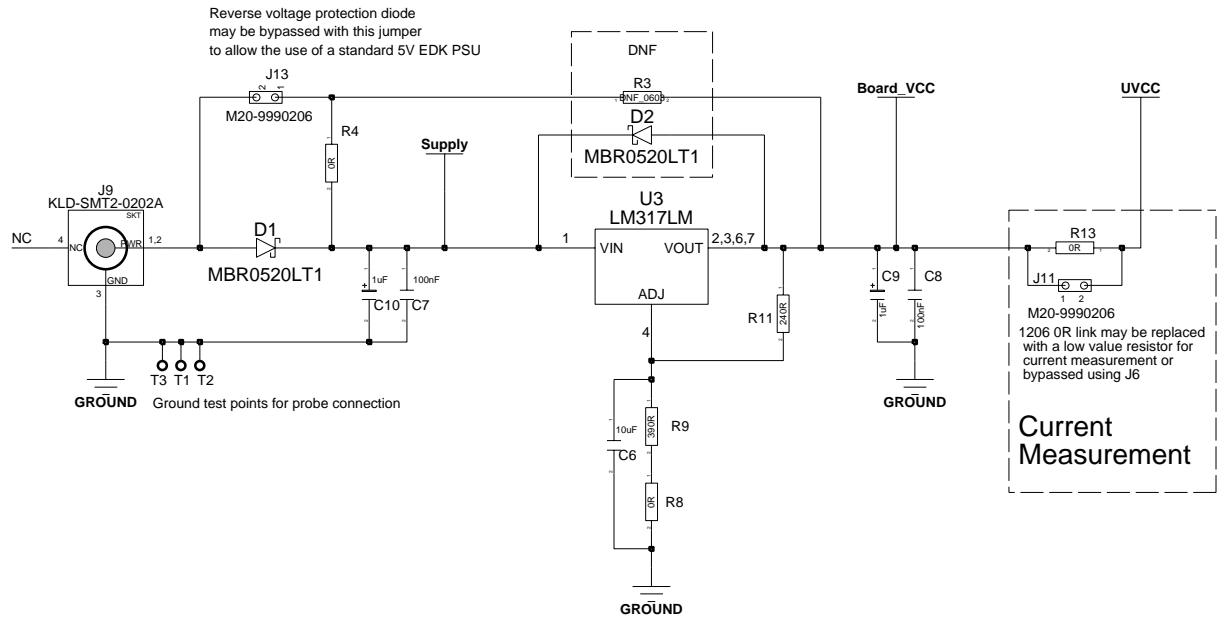
SHEET TITLE
Micon

DRAWN BY	DATE	REV	DRAWING NUMBER	PAGE
DFI	20-Sep-04	2	D005612_04	1/4

SWITCHES



PSU



SIZE A4

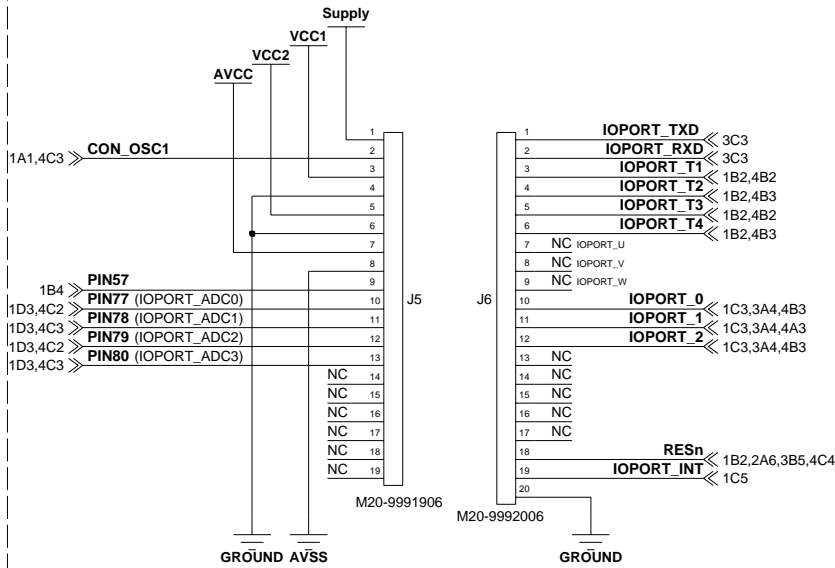
RENESAS TECHNOLOGY EUROPE LTD
 Dukess Meadow, Bourne End, Buckinghamshire
 UNITED KINGDOM

SCHEMATIC TITLE
3DK38124

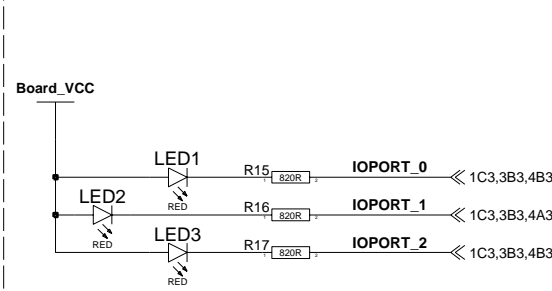
SHEET TITLE
Switches and PSU

DRAWN BY DFI	DATE 20-Sep-04	REV 2	DRAWING NUMBER D005612_04	PAGE 3/4
-----------------	-------------------	----------	------------------------------	-------------

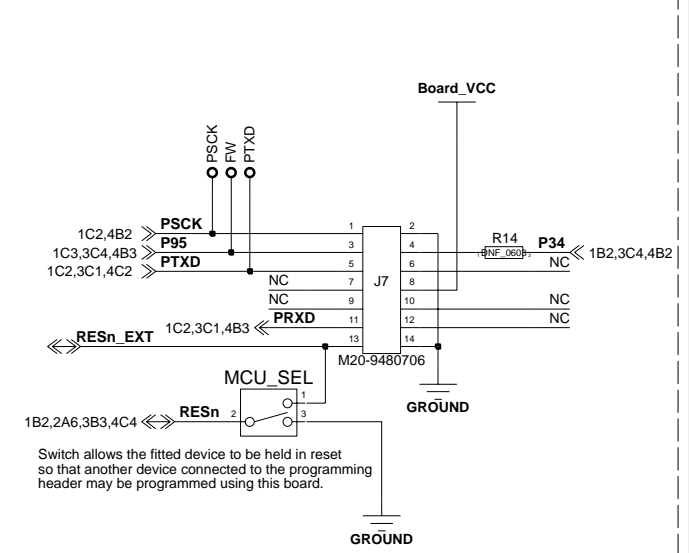
GENERIC HEADERS



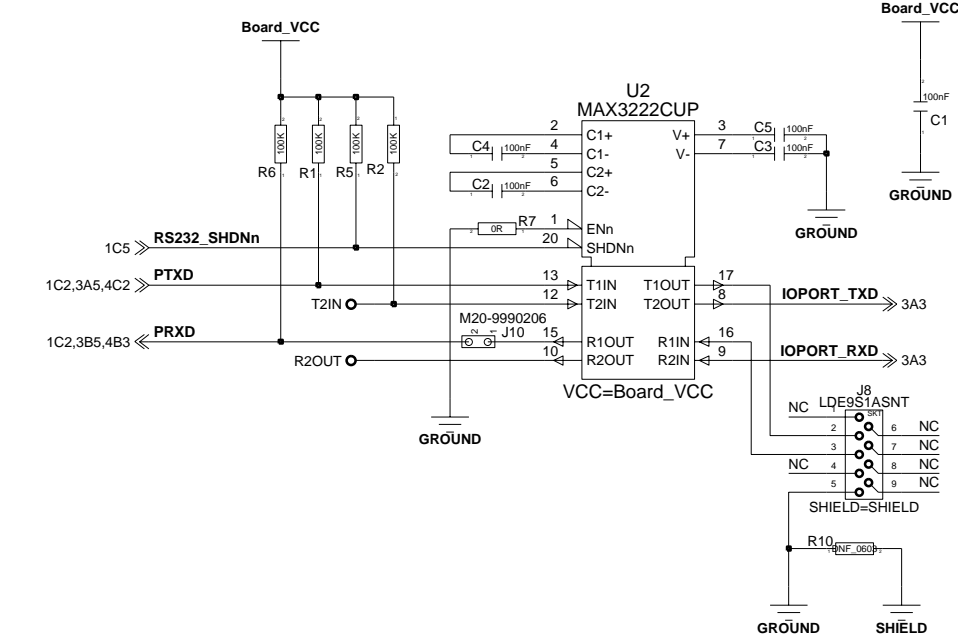
LEDs



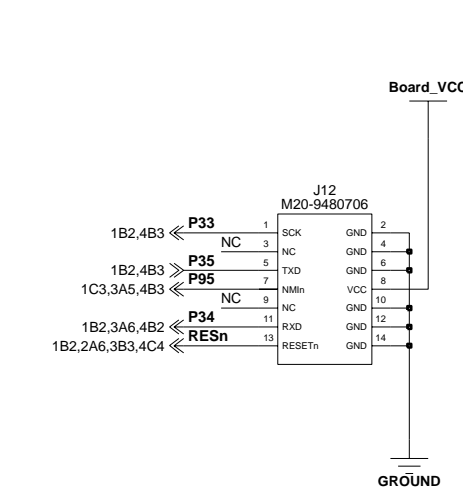
FLASH PROGRAMMING



SERIAL PORT



Emulator Socket



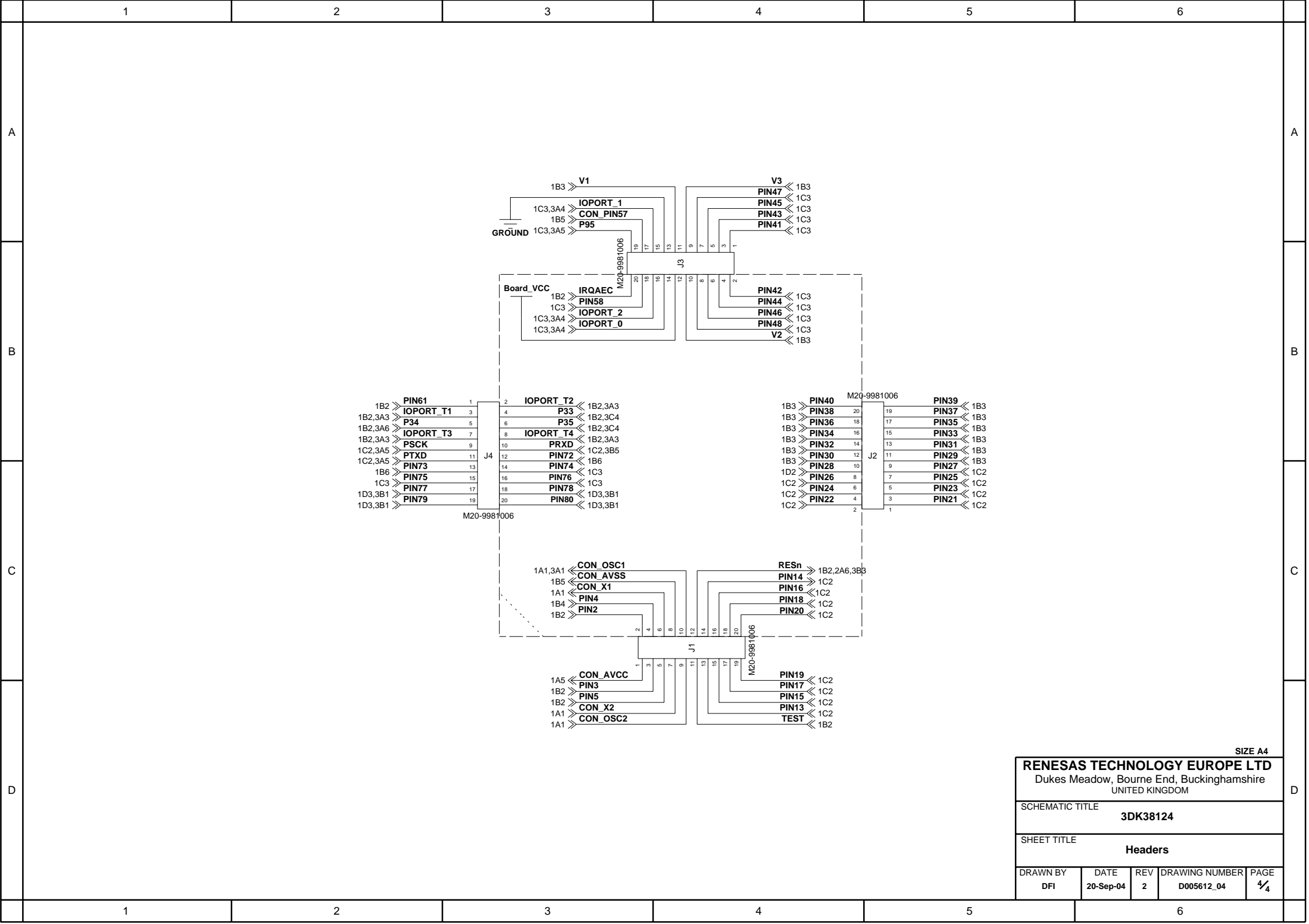
SIZE A4

RENESAS TECHNOLOGY EUROPE LTD
Dukes Meadow, Bourne End, Buckinghamshire
UNITED KINGDOM

SCHEMATIC TITLE
3DK38124

SHEET TITLE
Generic & FLASH connector, LEDs & Serial Port

DRAWN BY	DATE	REV	DRAWING NUMBER	PAGE
DFI	20-Sep-04	2	D005612_04	3/4



SIZE A4

RENESAS TECHNOLOGY EUROPE LTD
 Dukas Meadow, Bourne End, Buckinghamshire
 UNITED KINGDOM

SCHEMATIC TITLE
3DK38124

SHEET TITLE
Headers

DRAWN BY DFI	DATE 20-Sep-04	REV 2	DRAWING NUMBER D005612_04	PAGE 4/4
-----------------	-------------------	----------	------------------------------	-------------